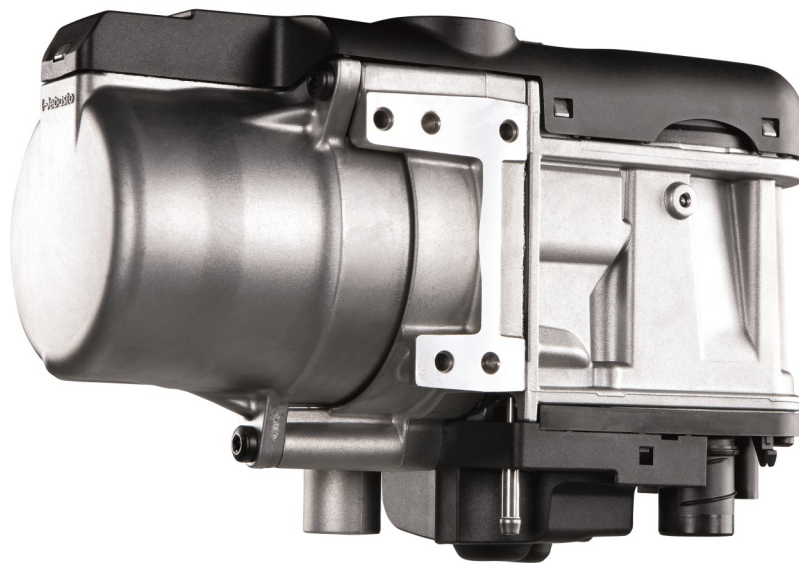


Water Heating

Thermo Top Series



With the Webasto water heating system in your mobile home, and the heated air option, you'll be thoroughly spoiled. The practical water heating system for kitchen and bathroom means you have a supply of hot water for showering, washing, cooking and washing up. Depending on how it is incorporated, this system can also be used to provide heated air throughout the living area, so you can enjoy the level of cozy warmth you want at little additional costs. All the comfort of home even in the middle of nowhere.

Advantages of Webasto Water Heaters:

- 12 volt or 24 volt system
- Diesel fuel burner (one fuel source)
- Completely enclosed, no naked flame
- Electronic thermostat for constant controlled water temperature
- High output and short heat up time
- Quiet and economical to run
- Environmentally friendly (low emission)
- Low current draw
- Compact, space saving design
- Safe to operate (no gas)
- Operates independently of vehicle engine and external power supply
- Easy expansion of system to allow air heating for the living space

Technical Specifications

Model	Voltage		Fuel Type	Heat Output (kW) Partial Load - Full Load	Fuel Consumption (l/hr) Partial Load - Full Load	Power Consumption (W) Partial Load - Full Load	Dimensions L x W X H (mm)	Weight (kg)
Thermo Top Evo 5	12		Diesel	2.5 - 5.0	0.31 - 0.62	12 -32	218 x 91 x 147	2.4
Thermo Pro 90	12	24	Diesel	1.8 - 7.6 variable 9.1 booster speed	0.21 - 0.92/1.14	37 -80	352 x 131 x 224	4.9
Buffer Tank 16L	-	-	-	-	-	-	500 x 170 x 280	7 Dry

System Layout

