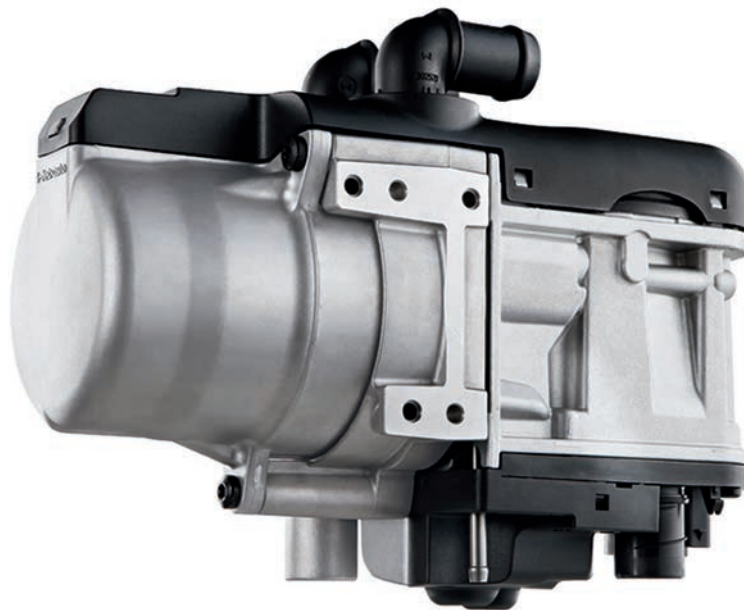


## Thermo Pro 50

Engine-Off Coolant Heater for Specialty Vehicles and Equipment



### Coolant Heater Features:

- Auxilliary heating with up to 17,000 BTU/h of heating power
- The lightest heater in its class
- Tested to -50° F (-46° C)
- Compact size allows installation in a wide range of vehicles and equipment
- High product quality with long service life
- Low emissions due to efficient design
- Automatic high altitude adjustment up to 11,000 feet (3,350 m)
- Coolant inlet & outlet ports can be rotated 180°
- Remote mounted coolant pump

### Be Ready For Work

The Thermo Pro 50 has been specially designed for use in specialty commercial vehicles and off-highway equipment. Its compact dimensions and lightweight design allow for installation in vehicles with limited space.

The heater pre-warms the engine eliminating cold starts, reducing harmful emissions, and increasing engine life. The heater's innovative features and compact size offer multiple installation options and significant fuel savings.

## Technical Specifications

	Thermo Pro 50
Heating Capacity	8,500 – 17,000 BTU/h (2.5 – 5.0 kW)
Fuel Consumption	0.08 – 0.17 gal/h (0.3 – 0.65 l/h)
Fuels (Suitability for special fuels)	JP8, Diesel 1, Diesel 2, Arctic
Rated Voltage	24 V
Power Consumption	1.2 – 2.0 A (28 – 46 W)
Dimensions (L x W x H)	8.6 x 3.6 x 5.8 in (218 x 91 x 147 mm)
Weight	4.8 lbs (2.2 kg)

## Technical specifications for circulating pump

	U4847
Coolant Flow	1.98 gal/min (7.5 l/h)
Power Consumption	.75 A (18 W)
Dimensions (L, ø)	4.3 L, ø 1.9 in (109 L, ø 48.5 mm)
Weight	0.7 lbs (0.3 kg)

## Available Thermo Pro 50 Heater Kits:

Thermo Pro 50 Standard Kit (24 V): Part Number 5010666A

Thermo Pro 50 Heavy Duty/Off Highway Kit (24 V): Part Number 5010870A

### Standard Kit Components:

- Heater
- Integrated Control Unit
- Circulation Pump U4847
- On/Off Switch
- Wiring Harness
- Fuel Metering Pump DP42
- Fuel Line
- Fuel Standpipe
- Exhaust System
- Installation Hardware
- Installation/Operation Instructions

### Optional Accessories:

SmarTemp Control f<sub>x</sub> Timer 2.0: Part Number 5010633C

**SmarTemp Control f<sub>x</sub> Timer 2.0 (optional):**  
for Thermo Pro 50 - Part Number 5010633C



- Programmable runtimes
- USB diagnostics
- Ergonomical design
- Large backlit LCD screen

Webasto Thermo & Comfort  
North America, Inc.

15083 North Road  
Fenton, Michigan 48430  
USA

Toll Free: 800-860-7866  
Phone: 810-593-6000

webasto.com