

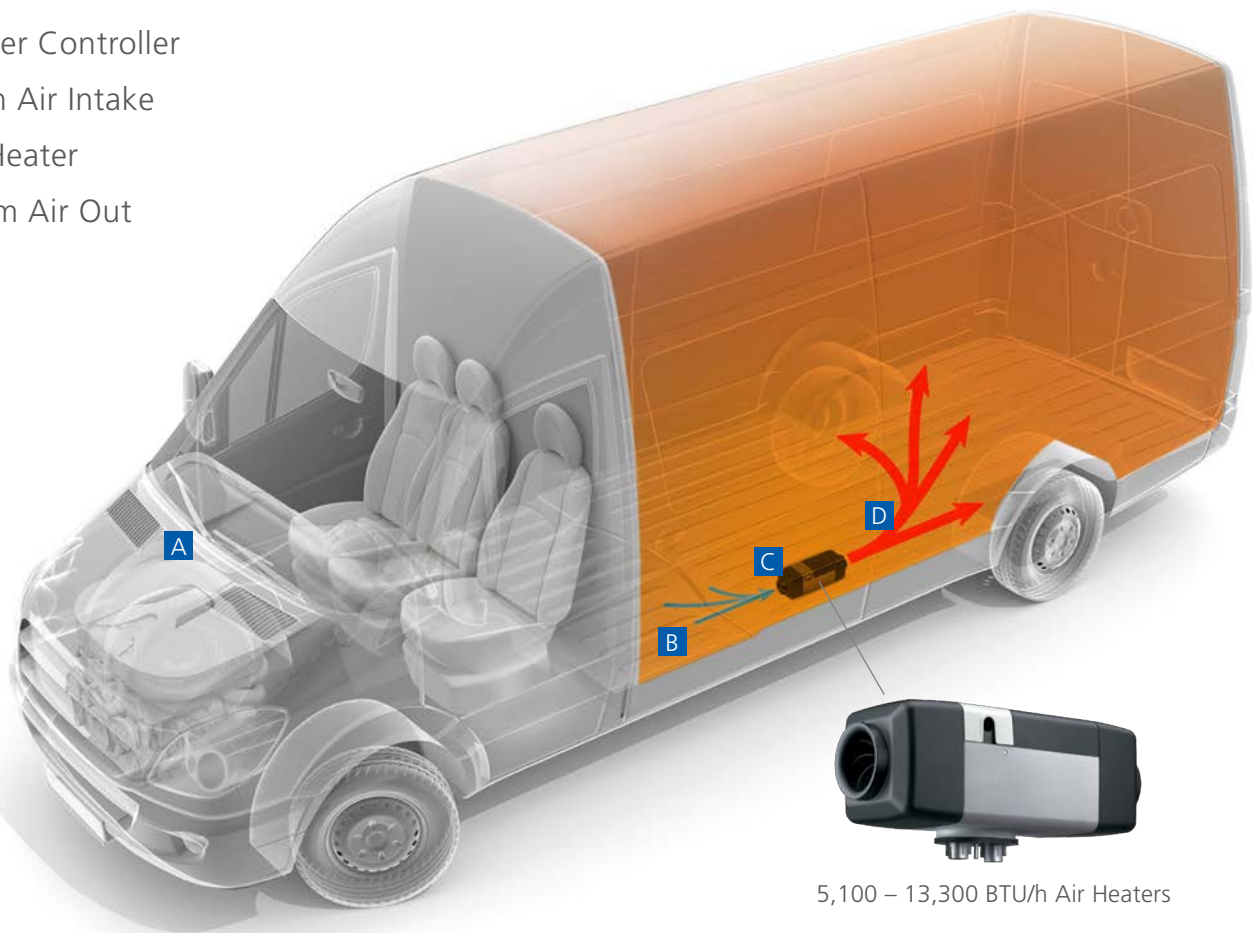
# Interior Heating Solutions

for Mobile Work Spaces

Webasto air heaters provide heat for the occupants and cargo in a work van. The air heater operates independently from the gas or diesel engine which means you can heat the interior without idling the van. The heater can be controlled using a rheostat, an optional Evo multi-functional MC05 control, or an optional SmarTemp controller.

The heater is compact enough to fit inside the van, under utility shelves or other structures. The air heater can be programmed to maintain cargo temperature, eliminating the need to unload the vehicle after the work shift, saving time and money. The air heater can also be set to begin operation prior to the work shift, providing a pre-heated and work-ready vehicle.

- A** Heater Controller
- B** Fresh Air Intake
- C** Air Heater
- D** Warm Air Out



5,100 – 13,300 BTU/h Air Heaters



Reduced Emissions



Green Technology



Efficient Heat



Fuel Savings



Reduced Maintenance  
Costs



Increased Comfort



Increased ROI

## Air Heater Technical Specifications

	Air Top 2000 ST	Air Top Evo 40
Heating Capacity	3,100 – 7,000 BTU/h (0.9 – 2.0 kW)	5,100 – 12,000 / 13,300* BTU/h (1.5 – 3.5 / 4.0* kW)
Fuel		Gasoline, Diesel #1, Diesel #2, Arctic, Biodiesel B5 & B20
Fuel Consumption	0.03 – 0.06 gal/h (0.12 – 0.24 l/h)	0.05 – 0.11 / 0.15* gal/h (0.18 – 0.43 / 0.58* l/h)
Rated Voltage		12 V
Operating Voltage Range		10.5 – 16 V
Rated Input	1.25 – 2.45 Amps (14 – 29 W)	1.25 – 3.3 / 4.58* Amps (15 – 40 / 55* W)
Air Flow	37 cfm (63 m <sup>3</sup> /h)	77.7 / 82.4* cfm (132 / 140* m <sup>3</sup> /h)
Dimensions (L x W x H)	12.25 x 4.78 x 4.85 in (311 x 120 x 121 mm)	16.7 x 5.8 x 6.4 in (423 x 148 x 162 mm)
Weight	5.73 lbs (2.6 kg)	13 lbs (5.9 kg)

\*The Air Top Evo 40 is equipped with an industry unique Boost Mode when used with an MC05 Multi-functional control.

### Available Air Heater Kits:

Air Top 2000 ST Diesel Kit (12V) - Part Number 5010204A

Air Top 2000 ST Diesel Kit (12V) with SmarTemp Control 2.0 - Part Number 5010609B

Air Top 2000 ST Gas Kit (12V) - Part Number 5010205A

Air Top Evo 40 Diesel Kit (12V) - Part Number 5011169A

Air Top Evo 40 Gas Kit (12V) - Part Number 5011173A

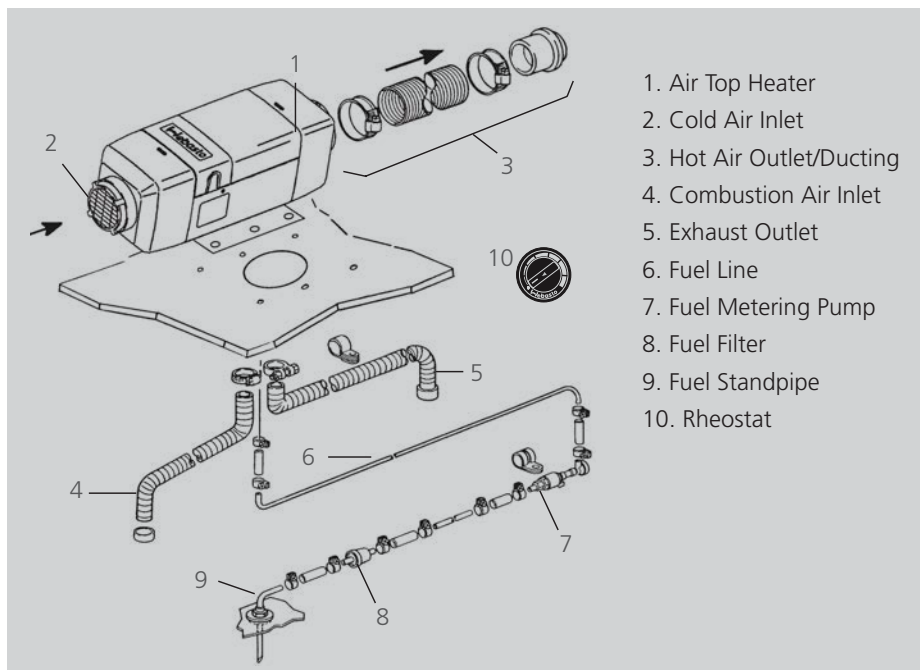
### Optional Components:

PC Diagnostic Kit - Part Number 9009064E

Diagnostic Adaptor for Air Top 2000 ST - Part Number 902555B

Diagnostic Adaptor for Air Top Evo 40 - Part Number 5001493A

### Standard Air Heater Kit Components:



### Control Options

#### Standard Rheostat Controller:

Part Number 5010068A



- Basic functions

#### Evo Multi-Functional Control MC05 (optional):

Part Number 133212A



- High altitude
- Boost Mode
- Vent-Only Mode
- Eco Mode

#### SmarTemp Control 2.0 (optional):

Part Number 5010624B\*

\* This part requires an Adaptor Harness;

for Air Top 2000 ST - Part Number 5010612B

for Air Top Evo 4000 - Part Number 5010613B



- High altitude
- Boost Mode
- Vent-Only Mode
- Eco Mode

Webasto Thermo & Comfort  
North America, Inc.

15083 North Road  
Fenton, Michigan 48430  
USA

Toll Free: 800-860-7866  
Phone: 810-593-6000

webasto.com