

Compartment and Main Work Area Heating Solutions

for Mobile Work Trucks

Webasto air heaters provide heat for the compartments and main enclosed area to keep tools, gear, electronics, food, water and workers from freezing in a harsh winter environment. The air heater operates independently from the gas or diesel engine which means you can heat the interior without idling the truck. The heater can be controlled using a rheostat, an optional Evo multi-functional MC04 control, or an optional SmarTemp Control 2.0 controller.

The heaters are compact enough to fit inside the main compartment in or under utility shelves or other structures. The air heater can be programmed to maintain a set temperature, so that tools and gear are ready for use when you are. The air heater can also be set to begin operation prior to the work shift, providing pre-heating to work-ready equipment and work areas.



NOTE: Depending on outside working temperatures and desired interior compartment or side compartment temperatures, some insulation may be required.

No Idle Heat Provides:

- Warm work area for driver
- Warm storage area for tools, equipment, etc
- Quiet interior for employee
- Quiet exterior for environment
- Reduced engine hours
- Cleaner emissions

Air Heater Technical Specifications

	Air Top 2000 ST	Air Top 40	Air Top 55
Heating Capacity	3,100 – 7,000 BTU/h (0.9 – 2.0 kW)	5,100 – 12,000 / 13,650* BTU/h (1.5 – 3.5 / 4.0* kW)	5,100 – 17,000 / 18,800* BTU/h (1.5 – 5.0 / 5.5* kW)
Fuel	Gasoline, Diesel #1, Diesel #2, Arctic, Biodiesel B5 & B20	Gasoline, Diesel #1, Diesel #2, Arctic, Biodiesel B5 & B20	Gasoline, Diesel #1, Diesel #2, Arctic, Biodiesel B5 & B20
Fuel Consumption	0.03 – 0.06 gal/h (0.12 – 0.24 l/h)	0.05 – 0.12 / 0.13* gal/h (0.19 – 0.44 / 0.5* l/h)	0.05 – 0.12 / 0.13* gal/h (0.19 – 0.44 / 0.5* l/h)
Rated Voltage	12 V	12 V / 24 V	12 V / 24 V
Operating Voltage Range	10.5 – 16 V	10.5 – 16 V / 20.5 – 31 V	10.5 – 16 V / 20.5 – 31 V
Rated Input	1.25 – 2.45 Amps (14 – 29 W)	1.25 – 3.3 / 4.58* Amps (15 – 40 / 55* W)	1.25 – 7.9 / 10.8* Amps (15 – 95 / 130* W)
Air Flow	37 cfm (63 m ³ /h)	77.7 / 82.4* cfm (132 / 140* m ³ /h)	117 / 129.5* cfm (200 / 220* m ³ /h)
Dimensions (L x W x H)	12.25 x 4.78 x 4.85 in (311 x 120 x 121 mm)	16.7 x 5.8 x 6.4 in (423 x 148 x 162 mm)	16.7 x 5.8 x 6.4 in (423 x 148 x 162 mm)
Weight	5.73 lbs (2.6 kg)	13 lbs (5.9 kg)	13 lbs (5.9 kg)

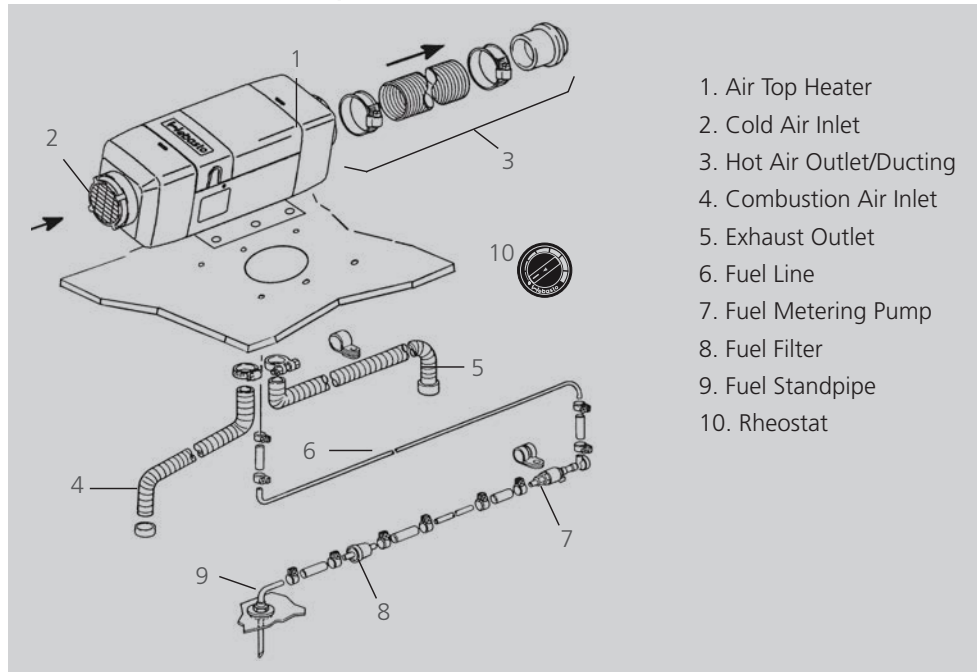
*The Air Top Evo 40/55 is equipped with an industry unique Boost Mode when used with an MC04 Multi-functional control.

Available Air Heater Kits:

Air Top 2000 ST Diesel Kit (12V) - Part Number 5010204A
 Air Top 2000 ST Gas Kit (12V) - Part Number 5010205A
 Air Top Evo 40 Diesel Interior Cargo Kit (12V) - Part Number 5011171A
 Air Top Evo 40 Diesel Exterior Cargo Kit (12V) - Part Number 5011172A
 Air Top Evo 40 Gas Interior Cargo Kit (12V) - Part Number 5011173A

Air Top Evo 55 Diesel Interior Cargo Kit (12V) - Part Number 5011178A
 Air Top Evo 55 Diesel Exterior Cargo Kit (12V) - Part Number 5011179A
 Air Top Evo 55 Gas Interior Cargo Kit (12V) - Part Number 5011181A

Standard Air Heater Kit Components



Control Options

Standard Rheostat Controller:

Part Number 5010068A

- Basic functions



Evo Multi-Functional Control MC04 (optional):

Part Number 1322720A

- Boost Mode
- Vent-Only Mode
- Eco Mode



SmarTemp Control 2.0 (optional):

for Air Top 2000 ST - Part Number 5001446A

Adaptor Harness - Part Number 5010610A

for Air Top Evo 40/55 - Part Number 5010624B

Adaptor Harness - Part Number 5010613B

- USB diagnostics
- Ergonomical design
- Large backlit LCD screen
- Ambient temperature display



Webasto Thermo & Comfort
North America, Inc.

15083 North Road
Fenton, Michigan 48430
USA

Toll Free: 800-860-7866
Phone: 810-593-6000

webasto.com