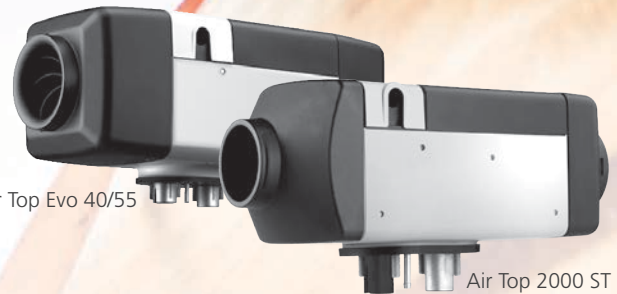


Webasto Air Heaters

Interior Heating Solutions for the RV Market



Air Top Evo 40/55

Air Top 2000 ST

- Up to 7,000 BTU/h output Air Top 2000 ST
- Up to 13,650 BTU/h output Air Top Evo 40
- Up to 18,800 BTU/h output Air Top Evo 55
- Compact design, easy installation
- Quiet operation & low fuel consumption
- High heat output
- Diesel-fueled, directly fed from the tank
- More space inside due to the possibility of outside installation
- CARB approved and EPA SmartWay verified



SmarTemp Control 2.0 (optional)

- Programmable heater start time
- Ergonomical design
- Large backlit LCD screen
- Ambient temperature display

Webasto
Feel the Drive

Technical Specifications

Air Top 2000 ST	
Heating Capacity	3,100 – 7,000 BTU/h (0.9 – 2.0 kW)
Fuel	Diesel #1, Diesel #2, Arctic, Biodiesel B5 & B20, Gasoline
Fuel Consumption	0.03 – 0.06 gal/h (0.12 – 0.24 l/h)
Rated Voltage	12 or 24 V
Operating Voltage Range	10.5 – 16 or 21 – 32 V
Rated Input	1.25 – 2.45 Amps (14 – 29 Watts)
Air Flow	55 cfm (93 m ³ /h)
Dimensions (L x W x H)	12.25 x 4.78 x 4.85 in (311 x 120 x 121 mm)
Weight	5.73 lbs (2.6 kg)

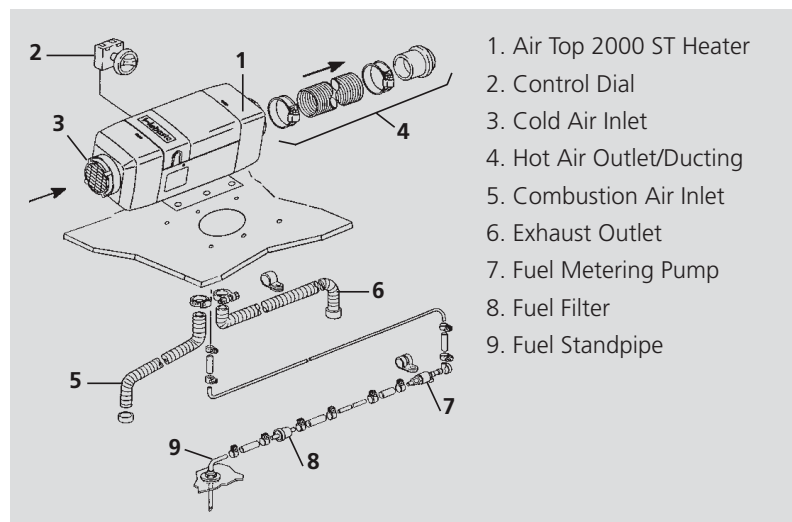


	Air Top Evo 40			Air Top Evo 55		
ECE approval number ECE R122 (heating)	E1 00 0385			E1 00 0386		
ECE approval number ECE R10 (EMC)	E1 04 5529			E1 04 5529		
Heating capacity, control range/boost	5,100 – 12,000 / 13,650 BTU/h (1.5 – 3.5 / 4.0* kW)	5,800 – 12,000 / 13,650 BTU/h (1.7 – 3.5 / 4.0* kW)	5,100 – 17,000 / 18,800 BTU/h (1.5 – 5.0 / 5.5** kW)	5,800 – 17,000 / 18,800 BTU/h (1.7 – 5.0 / 5.5** kW)		
Fuel consumption, control range/boost	0.05 – 0.11 / 0.13 gal/h (0.18 – 0.43 / 0.49 l/h)	0.07 – 0.14 / 0.15 gal/h (0.25 – 0.51 / 0.58 l/h)	0.05 – 0.16 / 0.18 gal/h (0.18 – 0.61 / 0.67 l/h)	0.07 – 0.19 / 0.21 gal/h (0.25 – 0.73 / 0.80 l/h)		
Nominal voltage	12 V	24 V	12 V	12 V	24 V	12 V
Rated power consumption, control range/boost @ 12 V	1.25 – 3.3 / 4.58 Amps (15 – 40 / 55 W)			1.25 – 7.9 / 10.8 Amps (15 – 95 / 130 W)		
Heating air volume flow against 0.5 mbar, control range/boost	77.7 / 82.4 cfm (132 / 140 m ³ /h)			117 / 129.5 cfm (200 / 220 m ³ /h)		
Fuels	Diesel, Biodiesel		Gasoline	Diesel, Biodiesel		Gasoline
Operating temperature range	–40 to +104 °F (–40 to +40 °C)			–40 to +104 °F (–40 to +40 °C)		
Dimensions (L x W x H)	16.7 x 5.8 x 6.4 in (423 x 148 x 162 mm)			16.7 x 5.8 x 6.4 in (423 x 148 x 162 mm)		
Weight	13 lbs (5.9 kg)			13 lbs (5.9 kg)		
Automatic altitude compensation	7,218 ft (2,200 m)			7,218 ft (2,200 m)		

*Increased heat output ("Boost") possible with Multi Comfort MC 04 control element (max. 6 hours)

**Increased heat output ("Boost") possible with Multi Comfort MC 04 control element (max. 30 min.)

System Schematic



SmarTemp Control 2.0 (optional):

for Air Top 2000 ST - Part Number 5010624B



- Programmable heater start time
- Ergonomical design
- Large backlit LCD screen
- Ambient temperature display

Webasto Thermo & Comfort
North America, Inc.

15083 North Road

Fenton, Michigan 48430

USA

Toll Free: 800-860-7866

Phone: 810-593-6000

webasto.com